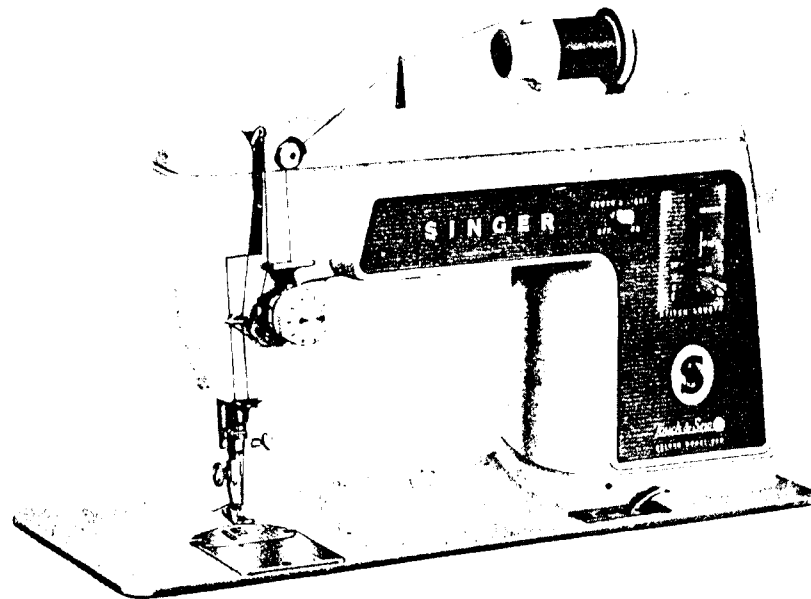


**SINGER**  
**629E1/629E6/629E7**

# List of Parts—Machines Nos. 629E1, 629E6 and 629E7



ATTACHMENT SET 161870

- |            |                       |
|------------|-----------------------|
| 21906      | Loop Retainer Disc    |
| 21915      | Throat Plate          |
| 81200      | Binder                |
| 161133     | Tube of Oil           |
| 161166     | Zipper Foot           |
| 161172     | Seam Guide            |
| 161195     | Hemmer Foot           |
| 161276     | Lint Brush            |
| 161883     | Attachment Box        |
| 163131     | Bobbin (2)            |
| 163455     | Thread Guide          |
| 2020(15x1) | Needles 11 (3) 14 (3) |

From the files of Singer Sewing Machine Corp



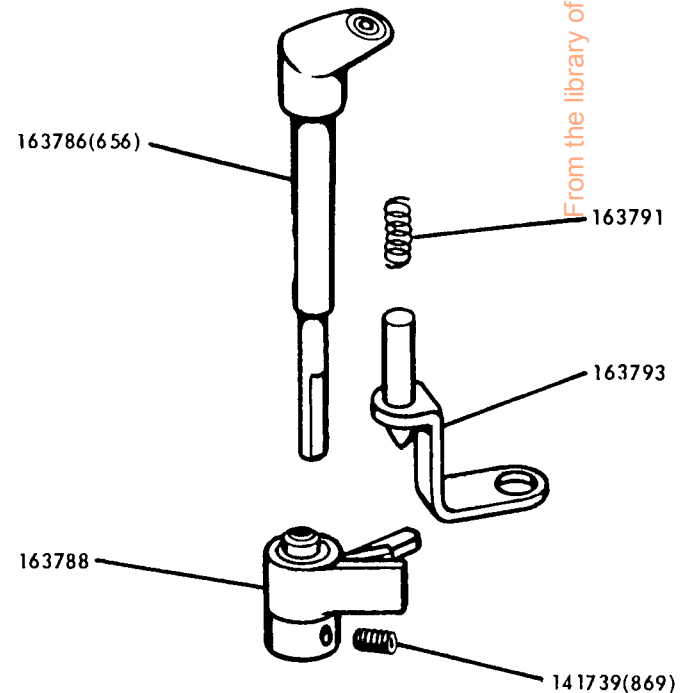
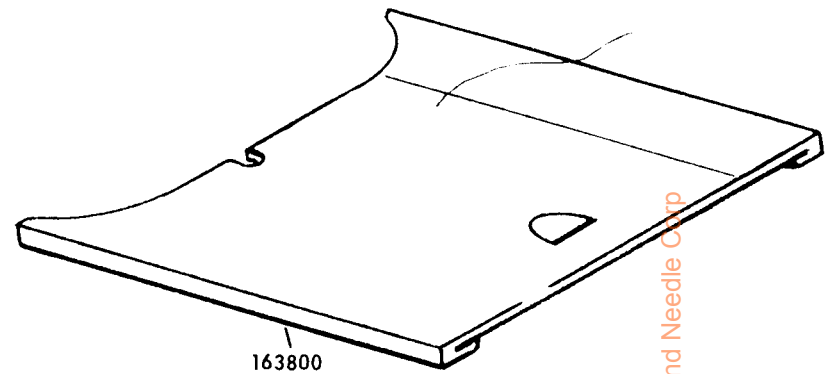


# SUPPLEMENT TO PARTS CHARTS

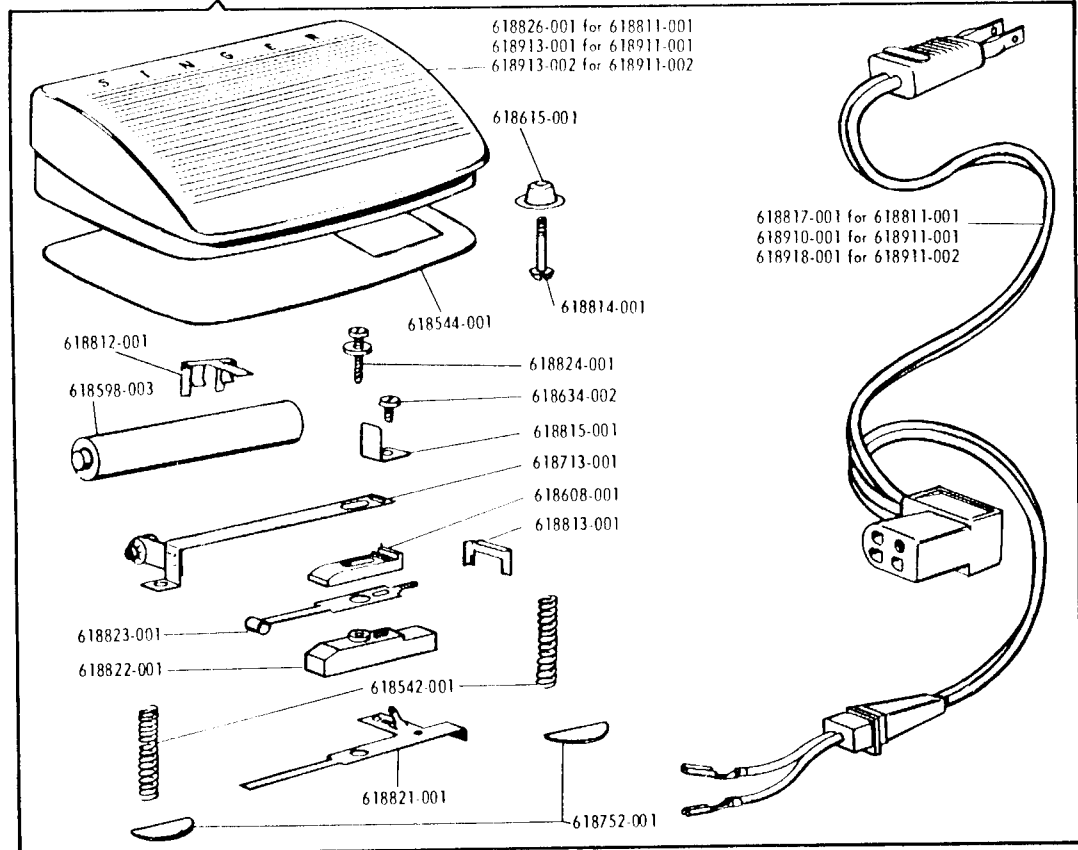
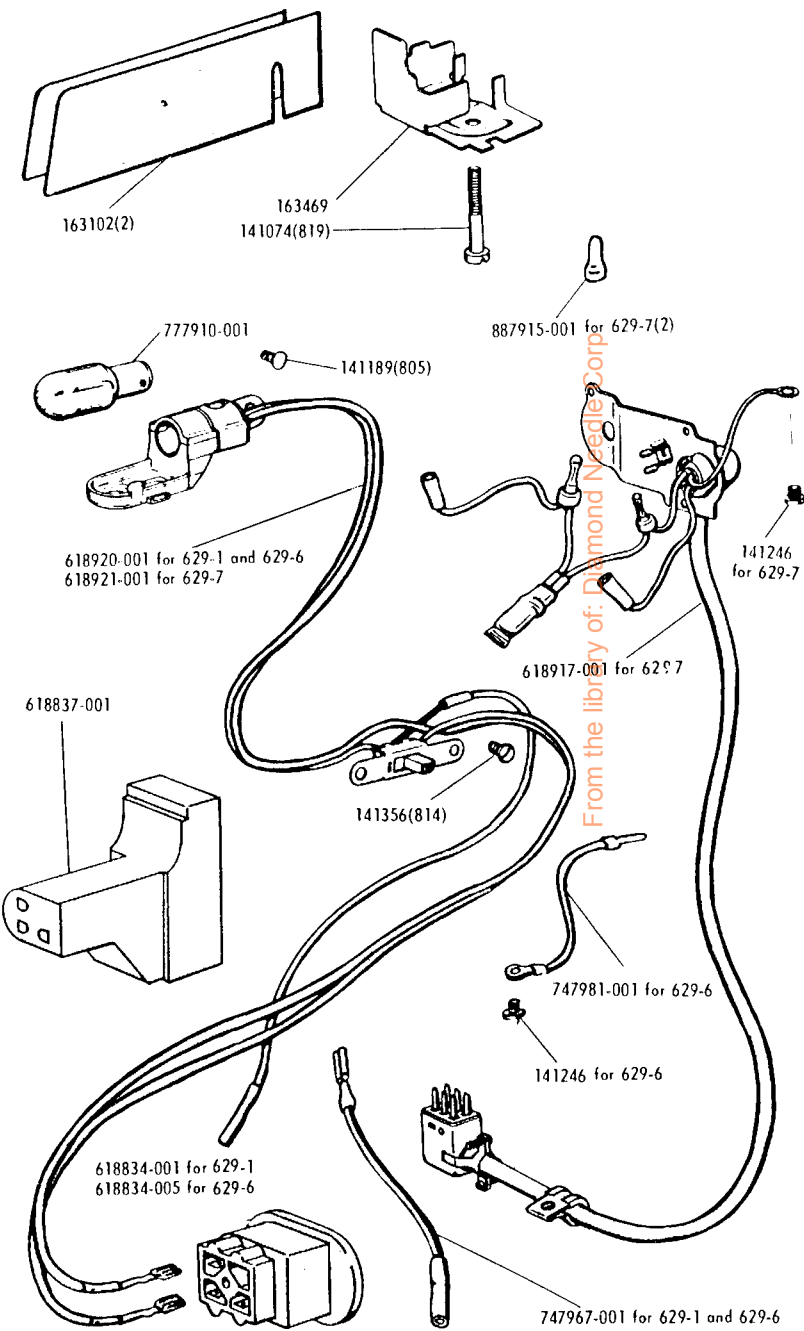
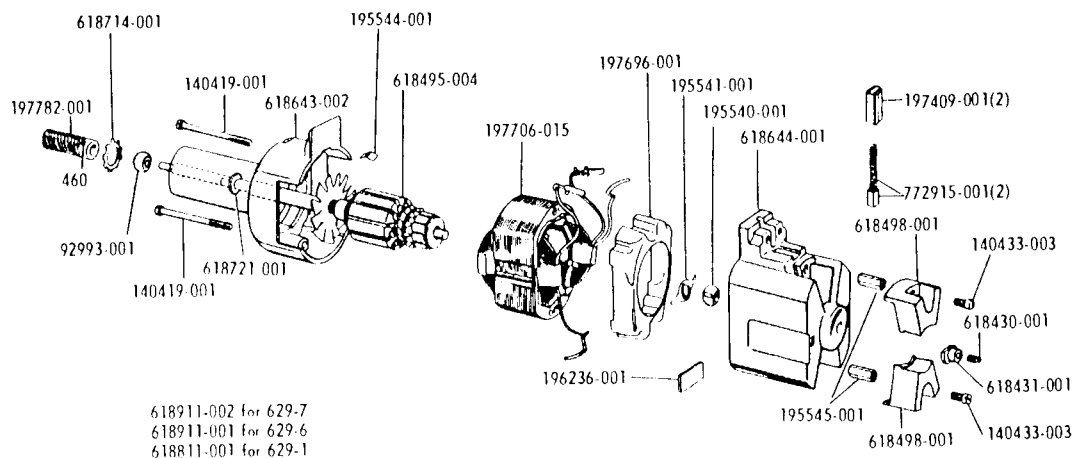
## For Classes 620, 625, 626, 628 and 629 Machines

The following new push button bobbin winder parts have been assembled into the above machines, replacing those assembled into earlier production models:

PART NO.	DESCRIPTION
141739(869)	Rotating Hook Bobbin Winder Actuating Lever Shaft Cam Set Screw
163786(656)	Rotating Hook Bobbin Winder Actuating Lever Shaft with Lever
163788	Rotating Hook Bobbin Winder Actuating Lever Shaft Cam with 141730(830)
163791	Rotating Hook Bobbin Winder Actuating Lever Shaft Cam Follower Spring
163793	Rotating Hook Bobbin Winder Lifting Bracket with Follower
163800	Bed Slide



# Electrical Parts—Machines Nos. 629E1, 629E6 and 629E7



From the library of: Diamond Needle Corp

